

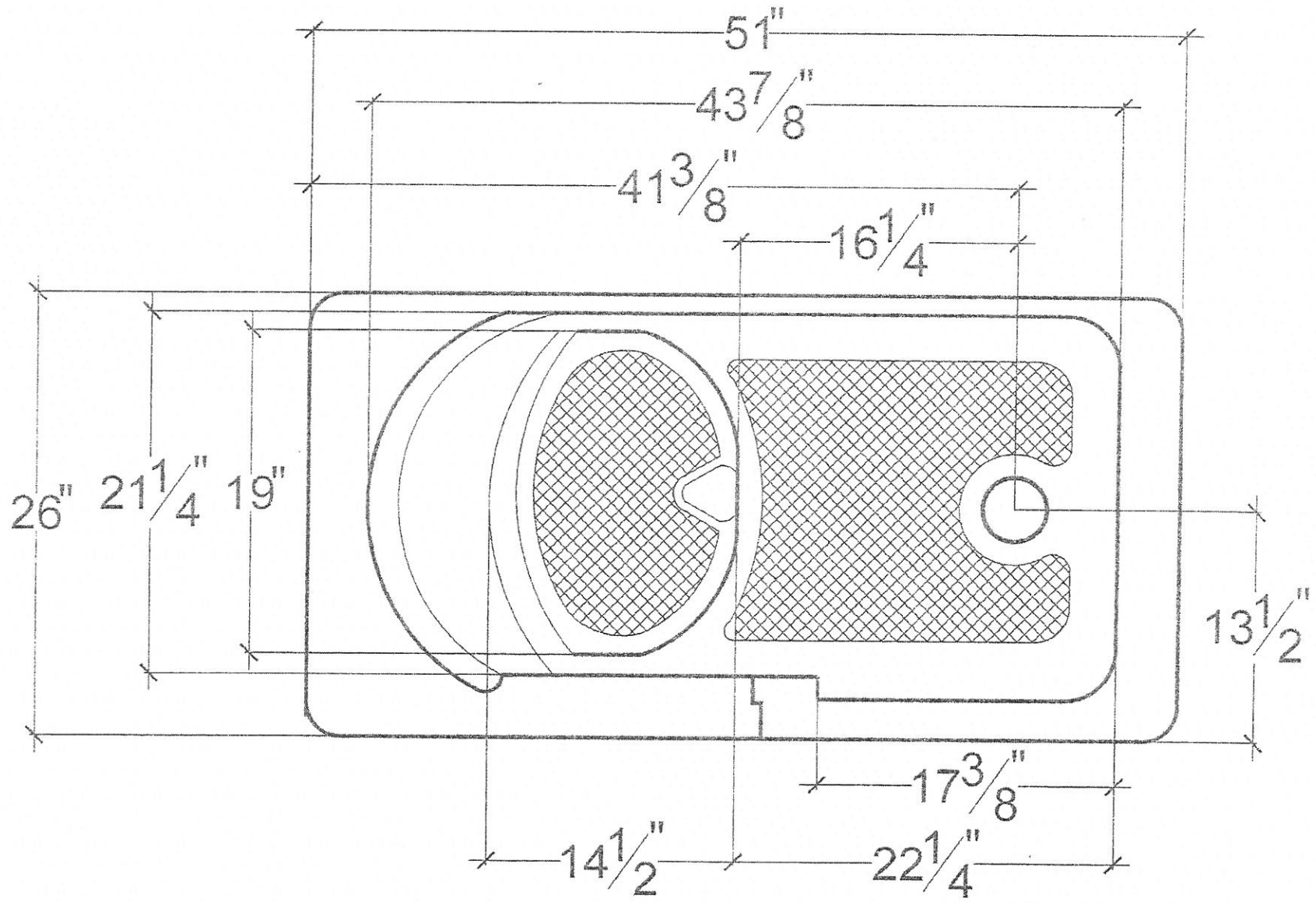
MODEL: DIAMOND ELITE

VIEW: FRONT
 SCALE: NOT TO SCALE
 DRAWING: A RUTZEN 10/25/2012
 REVISION: 51" TOP
 26 x 50 x 36

BOCA WALK-IN TUBS
 411 HICKORY RD. BLDG. 2
 WINTHROP, NC 28091
 TEL: 800.941.1315
 FAX: 770.720.1319
bocawalkinertubs.com



Manufacturers
 of the World's
 Finest
 Walk-In Bathtubs



MODEL: DIAMOND ELITE

VIEW: TOP
SCALE: NOT TO SCALE
DRAWING: A.RUTZEN 10/29/2012
REVISION: 26" Tub
26 x 50 x 36

BOCA WALK-IN TUBS
11111 Bigg 2
CANTON, GA 30101
TEL: 1-800-903-8095
FAX: 770-720-1319
bocawalkorders@whoo.com



Manufacturers
of the World's
Finest
Walk-In Bathtubs