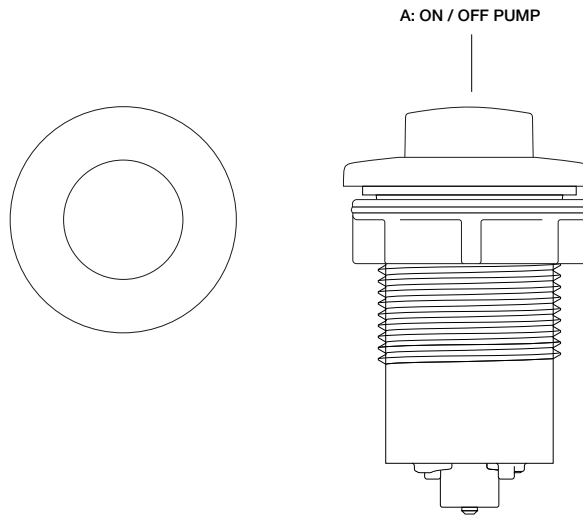


1 AIR PUSH BUTTON Functions



1. AIR PUSH BUTTON FUNCTIONS

A: ON/OFF PUMP

1st Press: The pump starts

2nd Press: The pump stops